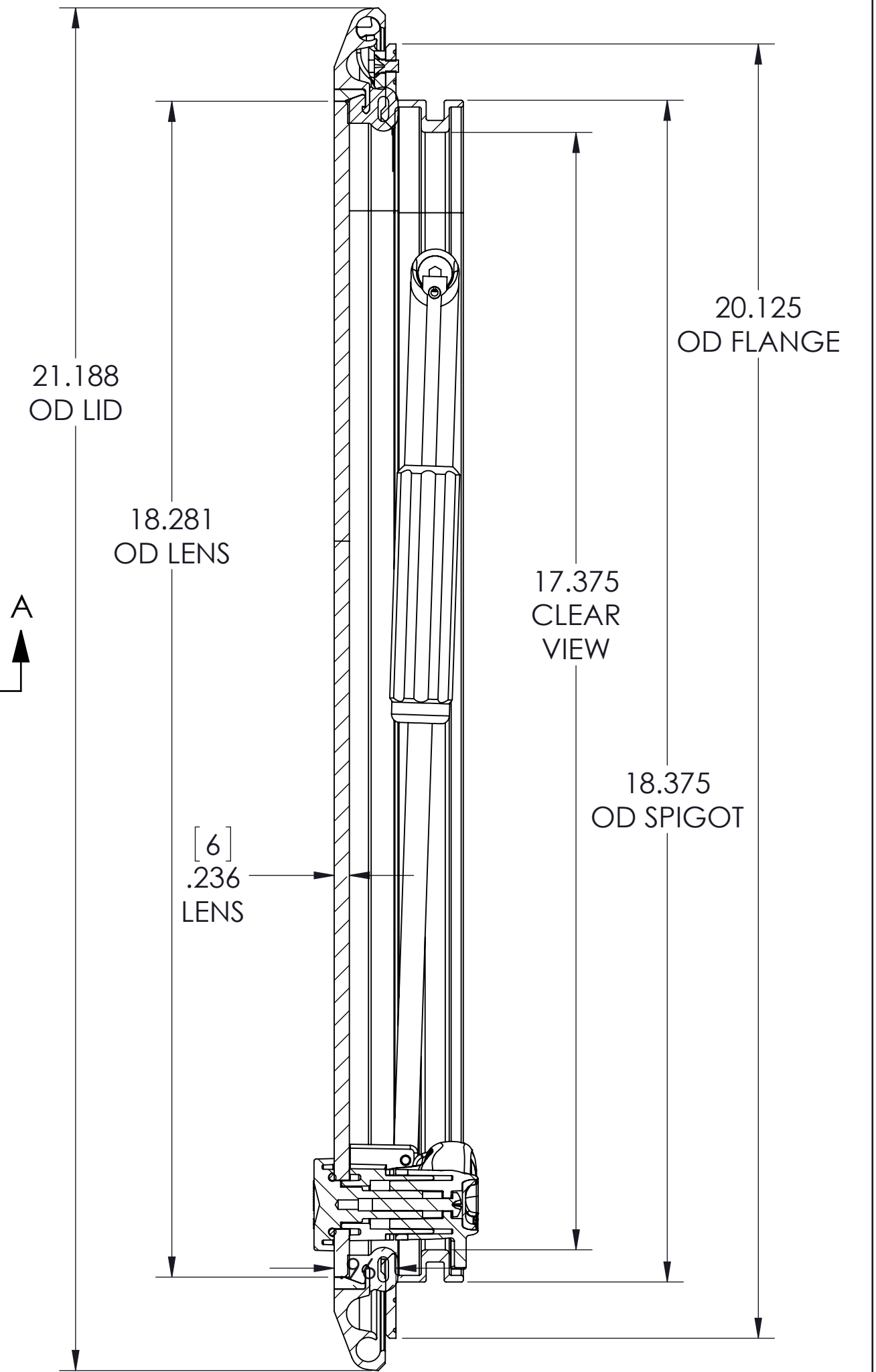
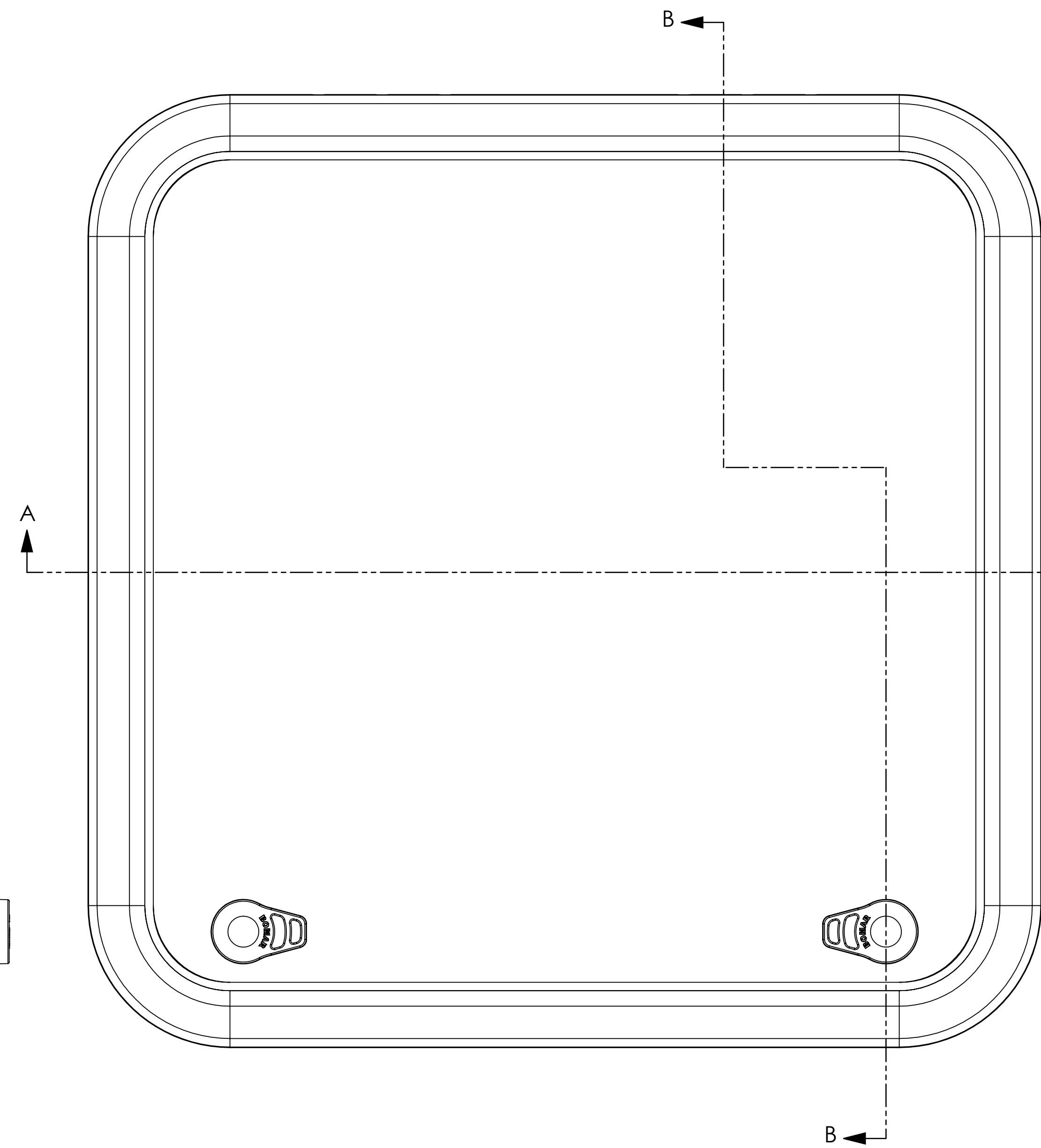
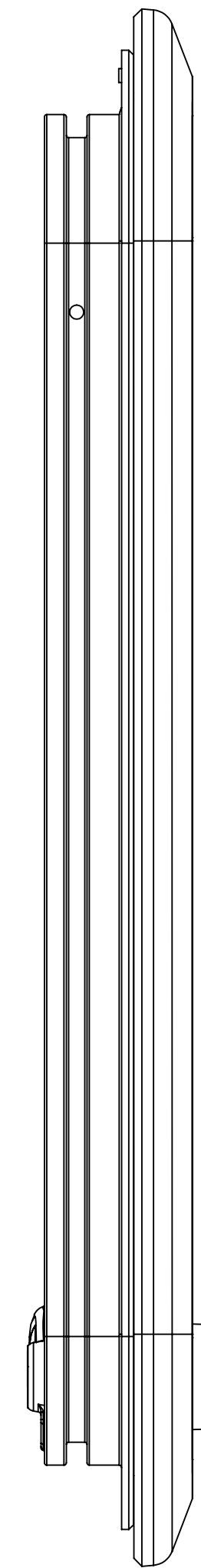
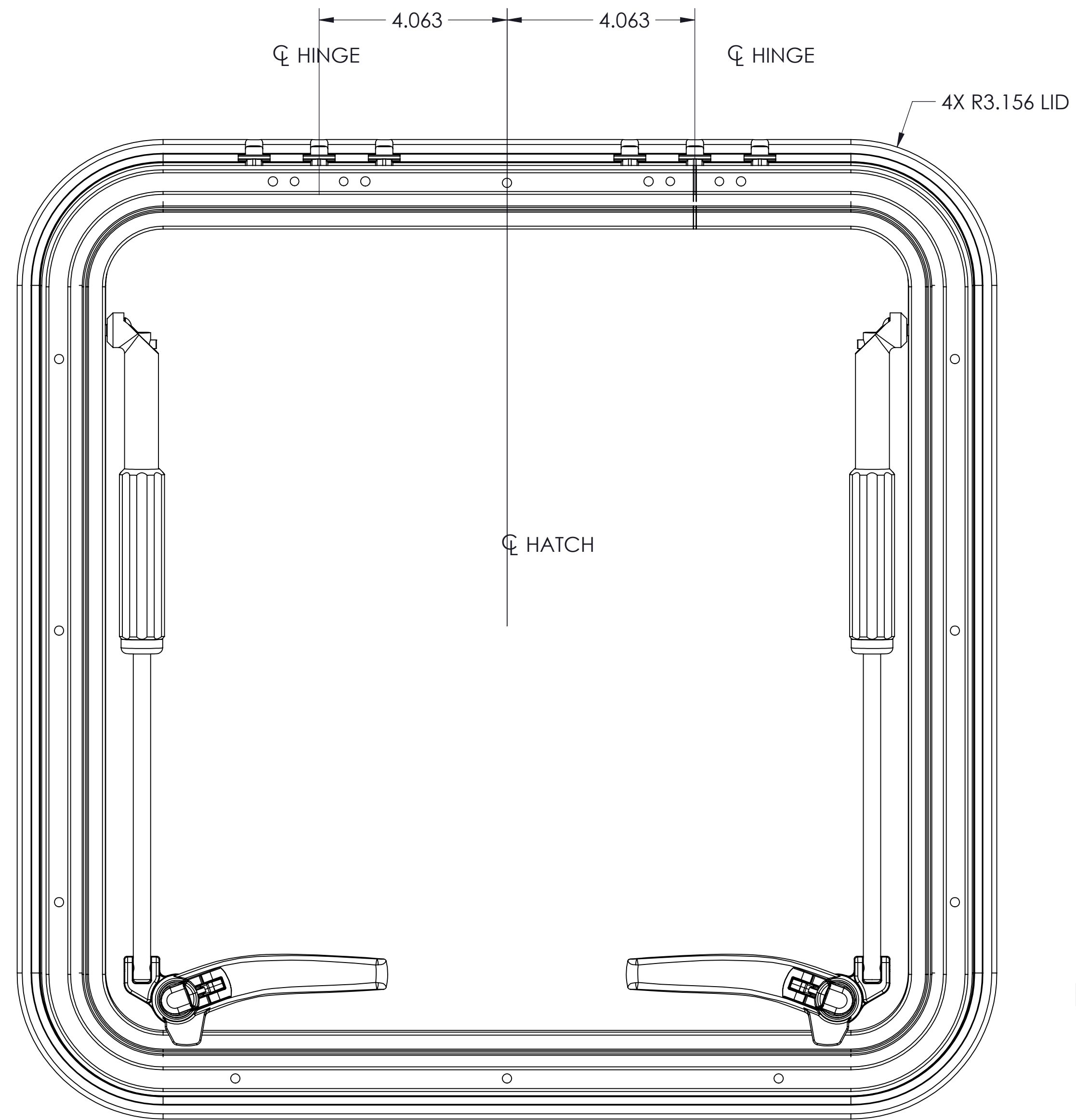
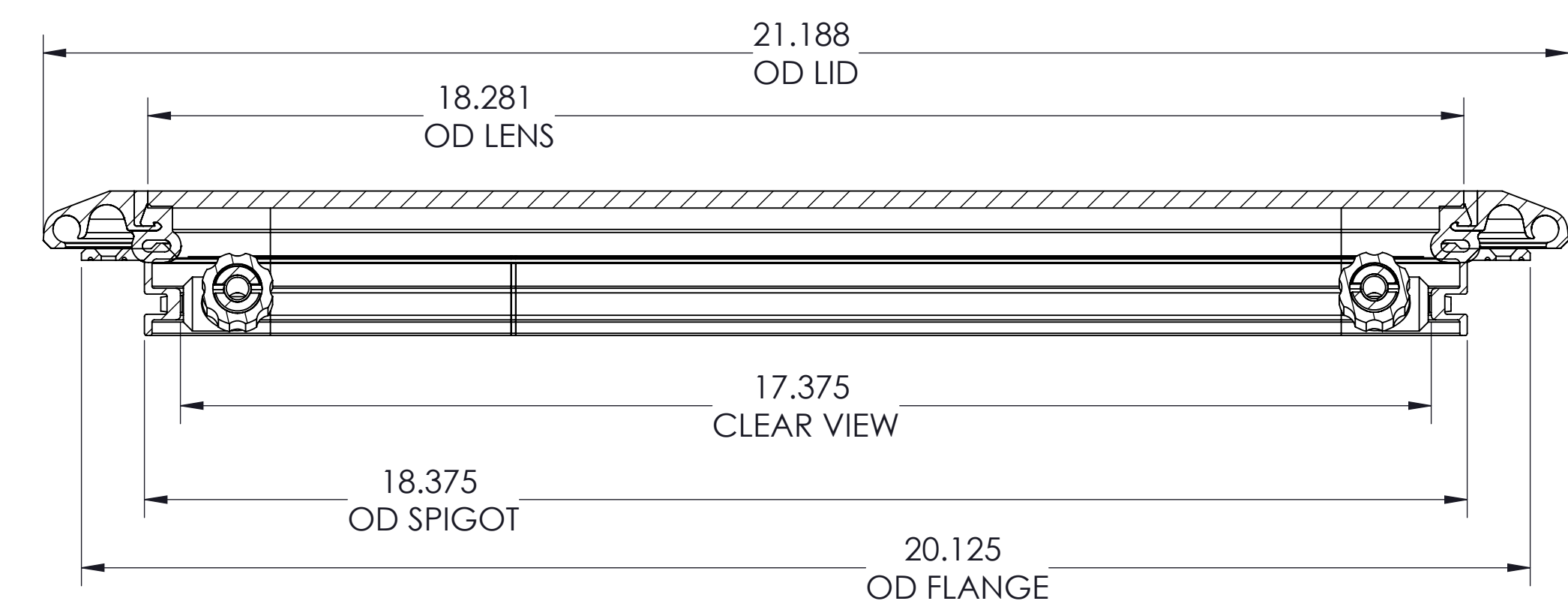


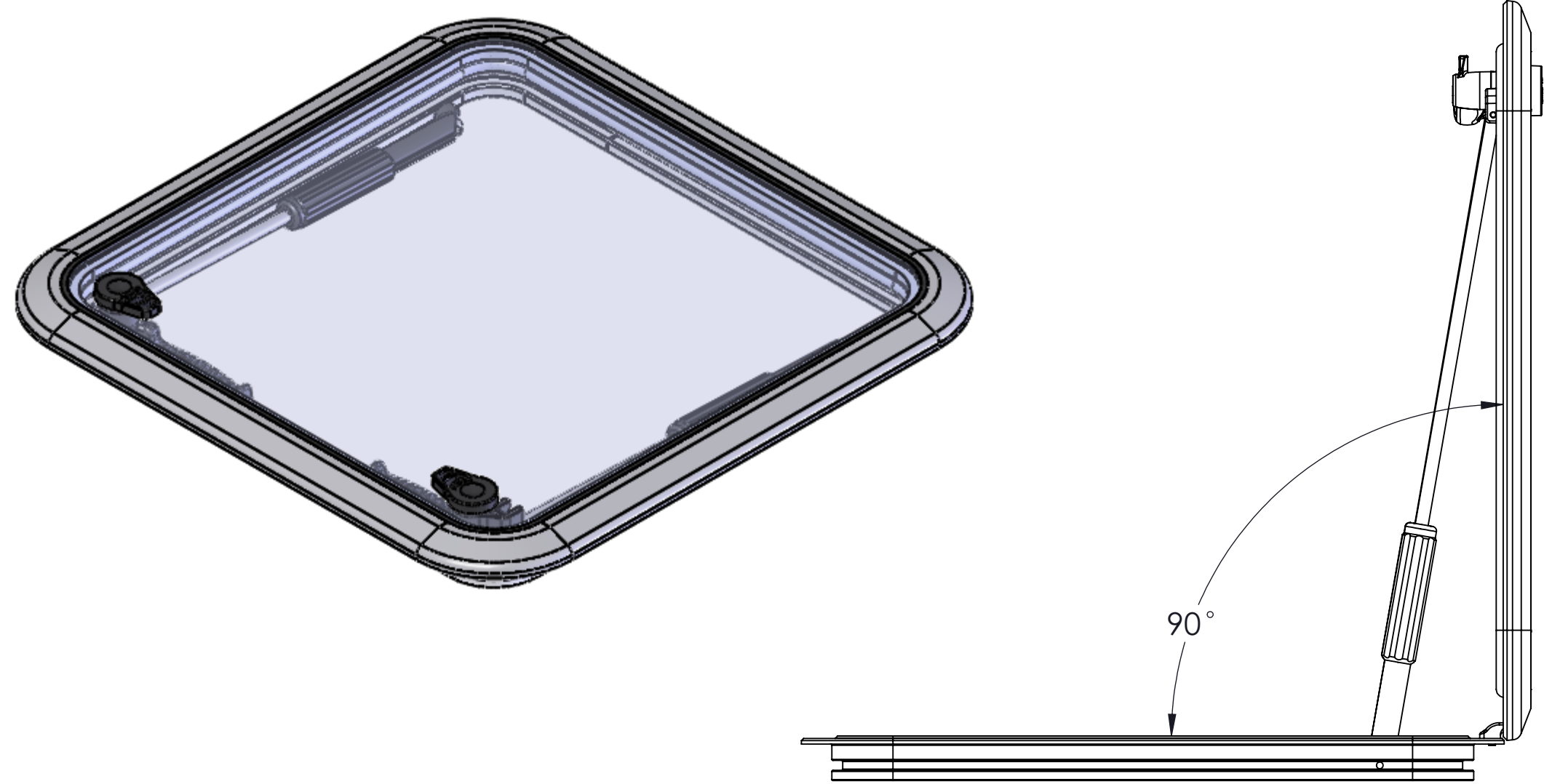
REVISIONS			
REV.	DESCRIPTION	DATE	APPROVED



SECTION B-B



SECTION A-A



NOTE:
SUGGESTED CUTOUT = 18-1/2 X 18-1/2
CUTOUT RADIUS = 1-11/16 RADIUS

<small>THIS DRAWING IS THE PROPERTY OF POMPANETTE, LLC, CHARLESTON, W.V. ALL RIGHTS ARE RESERVED. THIS DRAWING AND INFORMATION MAY NOT BE COPIED OR DISCLOSED TO OTHERS WITHOUT WRITTEN PERMISSION OF POMPANETTE, LLC.</small>		BOMAR BOWERS		<small>DIV. OF Pompanette INC. 73 SOUTHWEST ST., PO BOX 1200 CHARLESTOWN, W.V. 25003 PH: (803) 626-5761 FAX: (803) 626-5074</small>
SCALE: ± 1/64	TITLE: LOW PRO HATCH ASSEMBLY with 'P' STYLE TOP	DATE: 8/6/12	DRAWN BY: JPERRY	1 OF 1
FINISH: .XXX = ± .005	SEE BOM	SCALE: 1:2	DATE: 8/6/12	PART NO: N1080-10P
DECIMALS: .XX = ± .01		SCALE: 1:2	DATE: 8/6/12	PART NO: N1080-10P
TOLERANCE: ± 1°		SCALE: 1:2	DATE: 8/6/12	PART NO: N1080-10P